

Speed Following

Overview

Speed Following enables you to automatically adjust the speed of the feeder/dispenser in relation to the speed of the conveyor. As a result, the product is accurately placed onto the conveyor regardless of speed changes, minimizing damage while maintaining product control at varying conveyor speeds.

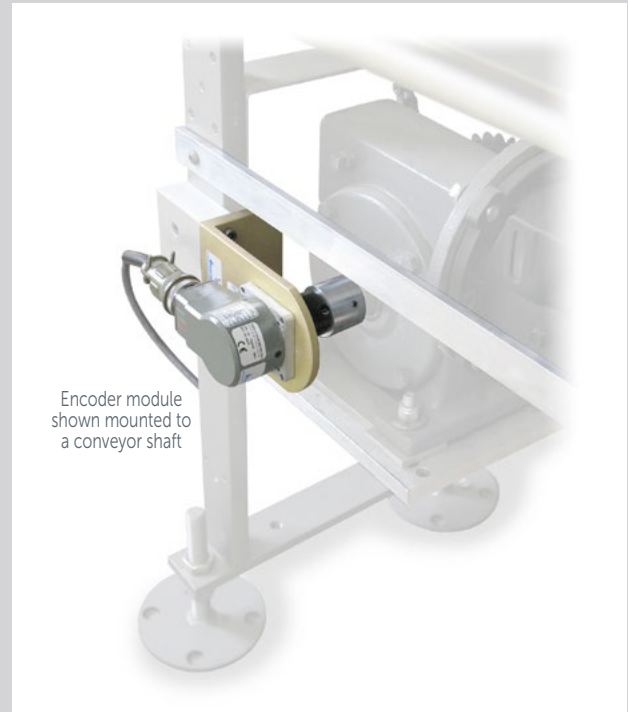
Included with Streamfeeder's Speed Following option is an encoder module which can be mounted to the drive shaft of the conveyor in various configurations. The encoder is then connected to the feeder with a cable (also included).

Technical Description

The encoder detects the speed of the conveyor in real-time and communicates it to the feeder. The speed at which products leave the feeder are then automatically and continuously adjusted.

This allows for greater accuracy of product placement at varying speeds. Once the conveyor speed is determined (estimated or actual), an easy-to-use operator setup will enable the Speed Following feature.

Contact our experienced sales team today for a comprehensive review of your application/product and see how our Speed Following can benefit your company.



Encoder module shown mounted to a conveyor shaft