

# Simionato Logic C 35



## Features

- Flexible bagger for a large range of bag shapes: D-Bag, Quad Seal, Block Bottom, Pillow and Resealable Zipper
- High speed intermittent motion with precise film control
- Stepper motor-driven pull belts
- User-friendly HMI panel with interactive graphics
- Self-centering pull belts

# Simionato Logic C 35

## Packaging Formats

Pillow Bag, Quad Seal, Flat Bottom, D-Bag and Resealable Zipper

## Standard Features

- Stepper motor film advance
- Environmental protection by fully enclosed construction
- Quick film change with pneumatic spindles
- Vacuum assisted splice table for quick film change
- Compact film path with adjustable film tensioning
- Low film and film runout detect
- Laterally adjustable backseal
- Easy setup via user-friendly HMI with interactive graphics
- 100 recipe memory plus 10 protected passwords
- Real time parameter adjustment
- Automatic film tracking
- Photo eye registration
- Encoder for precise control of bag length
- Alarm history
- Anti-bridging device at the entrance of forming tube

## Production Rate

Up to 100/105 bags per minute

## Package Range

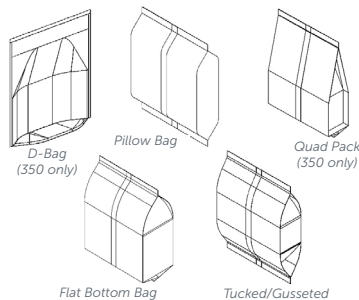
LOGIC 35

Front minimum width 55 mm

Front maximum width 300 mm

## Power Requirements

480 Vac, 3 Ph, 50/60 Hz



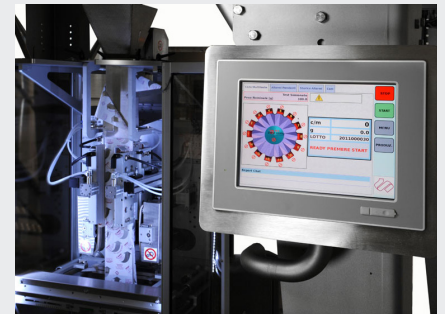
Flexibility in Bag Styles including recloseable options

## Options

- Gas Flushing
- Polyethylene Sealing
- Anti-Static System
- Heated Punch for Euroslot
- Tear Notch for Easy Vertical/Lateral Opening
- Printers
- Metal Detector
- Product Settling Device at the Entrance of the Forming Tube
- Lower Flap Folder (Heated or Non-Heated)



Custom solutions for integrated scales, augers and volumetrics



User-friendly control panel

[bwflexiblesystems.com](http://bwflexiblesystems.com)

## Global Operations

Duncan | SC | 29334 USA  
t. +1 (864) 486 4000

Nottingham | NG9 1LA UK  
t. +44 (0) 115 967 8787

Mestrino (PD) | 35035 ITALY  
t. +39 049 9006511

Monte di Malo (VI) | 36030 ITALY  
t. +39 0445 602300

Hayssen | Rose Forgrove | Sandiacre | Schib | Simionato | Streamfeeder | Symach | Thiele

BW Flexible Systems is a global manufacturer of packaging systems that fill and bag thousands of food and non-food products. Our packaging systems are designed and manufactured to maximize the efficiency and lifetime value of our customers' packaging lines. Our range of machinery includes form-fill-seal, feeding, bag filling and sealing, pouch-making equipment, flow-wrap, reclosable packaging solutions, palletizing, stretch-wrapping and more. For more information, go to [bwflexiblesystems.com](http://bwflexiblesystems.com)

barrywehmiller  
**bw**  
betterworld

2022.04